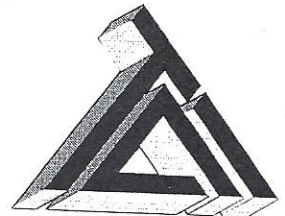


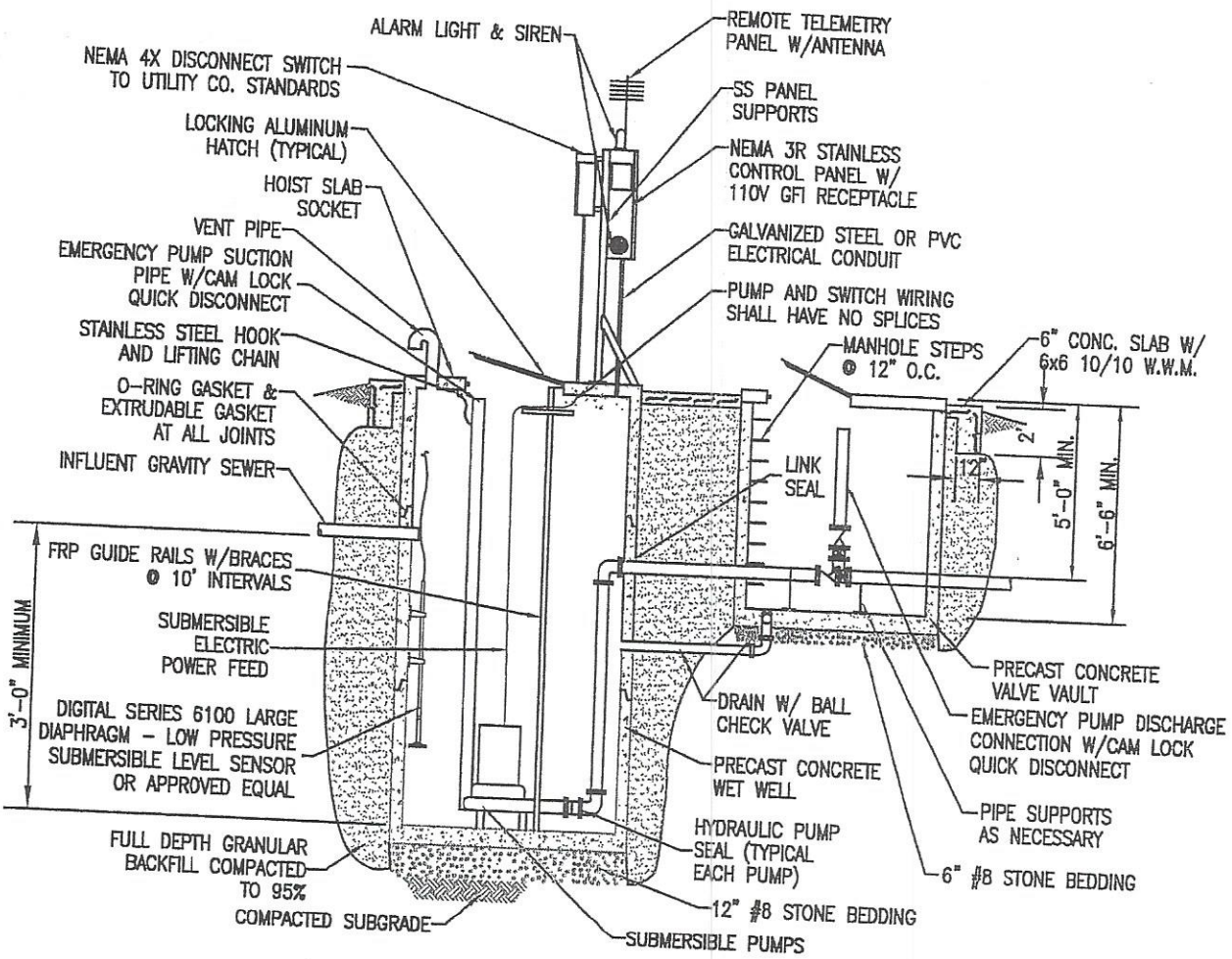
TYPICAL LIFT STATION PLAN

SCALE: NONE



TRIAD ASSOCIATES INC.
 5835 LAWTON LOOP EAST DRIVE
 INDIANAPOLIS, INDIANA 46216
 PHONE: 317-377-5230 FAX: 317-377-5241

11319-A



TYPICAL LIFT STATION SECTION
SCALE: NONE

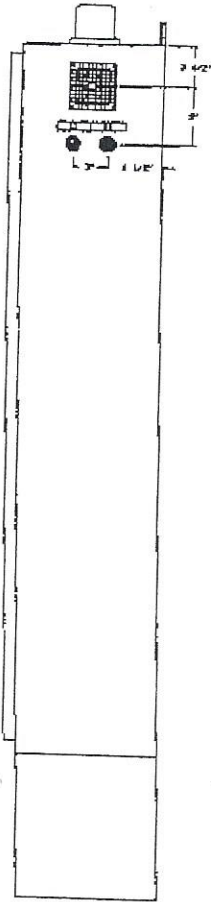
REVISED JUNE 2002



TRIAD ASSOCIATES INC.
5835 LAWTON LOOP EAST DRIVE
INDIANAPOLIS, INDIANA 46216
PHONE: 317-377-5230 FAX: 317-377-5241

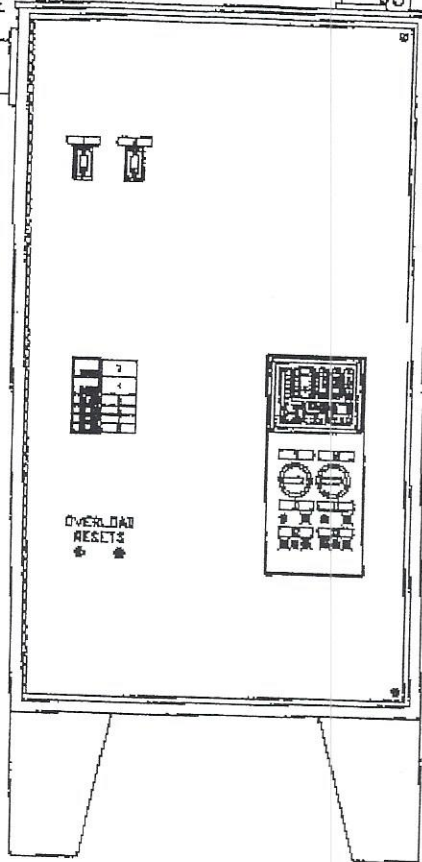
11319-B

NEMA 3R STAINLESS STEEL ENCLOSURE
60"Hx36"Wx12"D
OUTER DOOR NOT SHOWN



SIDE VIEW

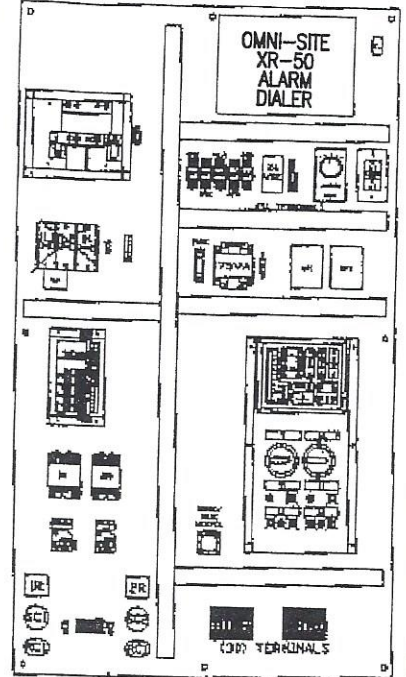
(100A)
GENERATOR
RECEPTACLE



NEMA 4X
ALARM LIGHT

ALARM
HORN

BACK PANEL LAYOUT
57"H x 33"W



LIFT STATION PANEL

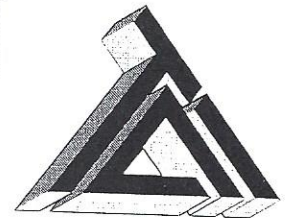
SCALE: NONE

NAMEPLATE LEGEND

1. EMERGENCY
2. SERVICE DISCONNECT
3. PUMP 1
4. PUMP 2
5. CONTROL
6. CONVENIENCE
7. DIALER
8. SPARE
9. PUMP 1 RTM
10. PUMP 2 RTM
11. HOA RUN
12. NORMAL TEST FAIL
13. ALARM TEST
14. ALARM SILENCE

NOTES:

1. ALARM DIALER SHALL BE OMNI-SITE XR-50 OR AN APPROVED EQUAL.



TRIAD ASSOCIATES INC.
5835 LAWTON LOOP EAST DRIVE
INDIANAPOLIS, INDIANA 46216
PHONE: 317-377-5230 FAX: 317-377-5241

REVISED 11/16

11319-C